

# Conder<sup>®</sup> Septic Tanks

## 6m<sup>3</sup> - 10m<sup>3</sup> Tanks

Conder Septic Tanks in Reinforced HDPE for Concrete Backfill and **NEW** Super Reinforced for Granular Backfill

Premier Tech Aqua's range of Low Profile Conder Septic Tanks is the perfect solutions for domestic applications where mains drainage is unavailable.

### Advanced Technical Qualities

Reduced installation and maintenance costs

The highly successful range of Low Profile Conder Septic Tanks offers some of the most advanced technical design qualities in the industry.

- Built-in impingement pre-filters that prevent suspended solids from entering the external pipework and drainage field.
- Uniquely designed for a shallow dig to enhance performance durability.
- Reduced installation and maintenance costs.
- Durable polyethylene structure.
- Lockable pedestrian access cover and variable invert level.
- Fully CE approved and tested to EN12566-1.

For further information or specifications on this or any other Premier Tech Aqua products, please contact our Sales Team on the below details.

#### Operating Principle

The septic tank collects all of the domestic wastewater and traps solids. The built-in pre-filter installed at the outlet traps coarse particles.

#### Commissioning use and maintenance

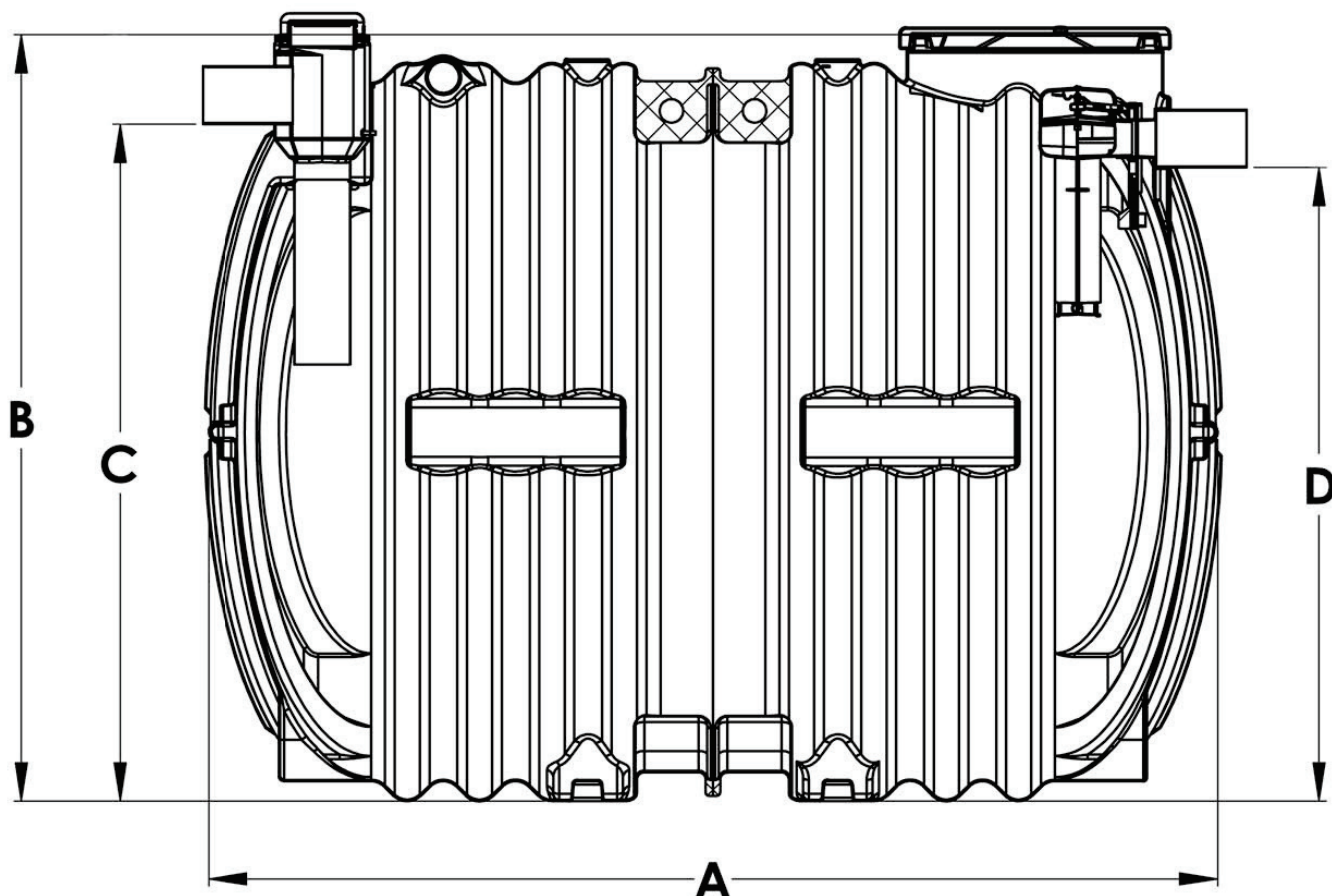
Follow the instructions provided in the Installation and Operating Manual (delivered with each septic tank and/or provided upon request).



## Adare Biocare Ltd

Tynedale House  
Clonshire, Croagh,  
Co Limerick  
P: 061-395819

[www.adarebiocare.com](http://www.adarebiocare.com)



## Conder Septic Tank Specifications (HDPE)

	Length (m)	Width (m)	Height (m)	Weight (kg)	ø access (mm)	INLET height to base (m)	OUTLET height to base (m)	Pipe Diameter (mm)
6m <sup>3</sup> Reinforced (MILL6R Concrete Surround)	2.67	2.08	2.11	232	600	1.87	1.75	160
6m <sup>3</sup> Super Reinforced (MILL6SR Granular Surround)	2.67	2.08	2.11	249	600	1.87	1.75	160
8m <sup>3</sup> Reinforced (MILL8R Concrete Surround)	3.36	2.08	2.11	304	600	1.87	1.75	160
8m <sup>3</sup> Super Reinforced (MILL8SR Granular Surround)	3.36	2.08	2.11	326	600	1.87	1.75	160
10m <sup>3</sup> Reinforced (MILL10R Concrete Surround)	4.05	2.08	2.11	371	600	1.87	1.75	160
10m <sup>3</sup> Super Reinforced (MILL10SR Granular Surround)	4.05	2.08	2.11	399	600	1.87	1.75	160

**Adare Biocare Ltd**

Tynedale House  
Clonshire, Croagh,  
Co Limerick  
P: 061-395819

[www.adarebiocare.com](http://www.adarebiocare.com)